

SPECIFICATIONS

Current Rating: 1A AC/DC
 Voltage Rating: 30V AC/DC
 Contact Resistance: 50m Ω Max
 Insulation Resistance: 100M Ω Min
 Withstanding Voltage: 100V AC for 1 minute
 Temperature Range: -25°C to +80°C
 Terminal : Phosphor Bronze
 Material: LCP, UL94V-0

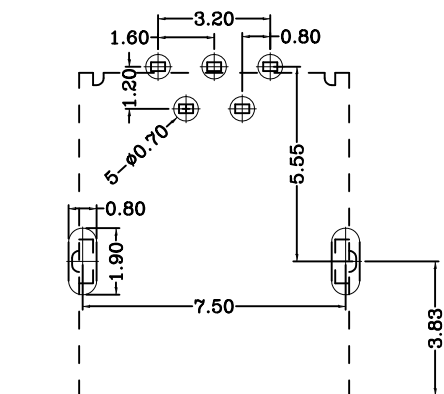
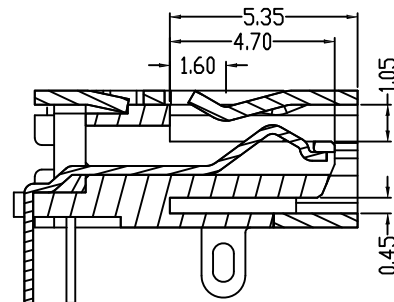
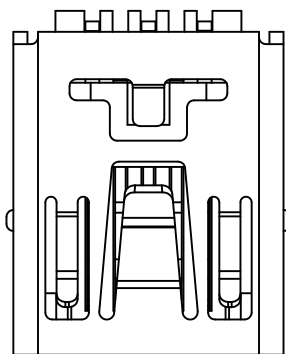
ORDER INFORMATION

USBMNB XX- F 05RD

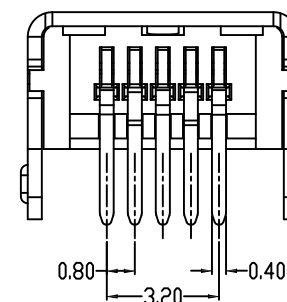
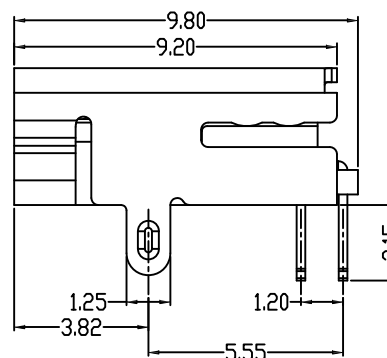
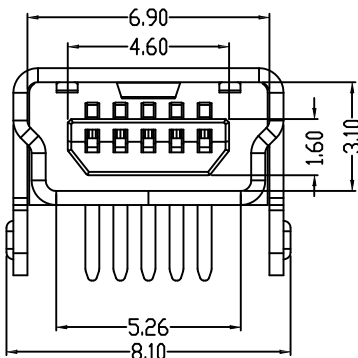
Mini USB B type

F: Female

S0:Gold flash on contact and 100u" MIN
 Tin on solder tails
 S4:Gold 15u" on contact and 100u" MIN
 Tin on solder tails
 S5:Gold 30u" on contact and 100u" MIN
 Tin on solder tails



Recommended
PCB Layout



PART NO.	USBMNBXX-F05RD	DRAWN	Andrew
DRAWING NO.	USBMNBXX-F05RD	CHECKED	Claudia
DATE	2015/04/02	APPROVED	Brian

TITLE:	Mini USB B type 5PIN DIP	REV.	A0	TOLERANCE	.X ±0.25 .XX ±0.20	SCALE	1:1	UNIT	mm	NO.		DESCRIPTION		DATE	
--------	--------------------------	------	----	-----------	-----------------------	-------	-----	------	----	-----	--	-------------	--	------	--