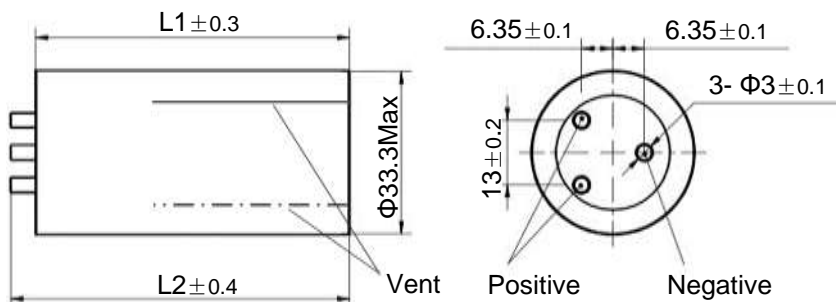


Features

- Cylindrical with soldering pillar terminal
- Low ESR
- Over 1000,000 duty cycles

Applications

- Pitching control system of Wind Turbine Generator
- UPS and backup power supply
- Electronic tools and police flash lights


Dimensions


*Two safety vent on the surface of the case

Product	Dimension/ mm	
	L1	L2
350F-1	63.8	68.7
350F-2		69.7
450F-1	79.8	84.7
450F-2		85.7
500F-1	79.8	84.7
500F-2		85.7
600F-1	93.8	98.7
600F-2		99.7
720F	112.8	118.7
800F	112.8	118.7

Specifications

Items	Characteristics
Operating Voltage	2.7 VDC
Surge Voltage	2.85 VDC
Operating Temperature Range	-40°C to 65°C
Capacitance Tolerance	0% to +20% (25°C)
Temperature Performance(-40°C to 65°C)	ΔC ≤ 5% of initial measured value@ 25°C ΔESR ≤ 50% of specified value
Life (1500 hours @ 65°C, 2.7 VDC)	ΔC ≤ 20% of initial measured value ΔESR ≤ 100% of initial measured value
Cycle life (1,000,000 cycles between V _R and 1/2 V _R)	ΔC ≤ 20% of initial measured value ΔESR ≤ 100% of initial measured value

Standard Product

CAP (F)	Part Number	ESR (mohm)		LC (mA, RT 72hrs)	Max. Energy Stored (Wh)	Max. Energy Density (Wh/Kg)	Max. Continuous Current (15/40°C,A)	Max. Peak Current (A)	Typical Thermal Resistance (Housing) °C/W	Typical Thermal Capacitance, C _{th} , J/°C	Typical Mass (g)
		AC @ 1kHz Avg./Max.	DC Avg/Max								
350	SCE0350C0-0002R7SPD	0.9/1.5	1.8/2.5	0.5	0.35	4.9	24/39	252	10.1	75	72
450	SCE0450C0-0002R7SPD	0.8/1.5	1.5/2.5	0.9	0.46	5.1	27/43	285	8.4	100	90
500	SCE0500C0-0002R7SPD	0.8/1.5	1.5/2.5	1.0	0.51	5.6	27/43	300	8.4	100	90
600	SCE0600C0-0002R7SPD	0.7/1.4	1.4/2.4	1.2	0.61	5.2	29/47	332	7.4	130	116
720	SCE0720C0-0002R7SPD	0.7/1.3	1.3/1.8	1.4	0.73	5.8	36/59	423	6.3	140	125
800	SCE0800C0-0002R7SPD	0.7/1.3	1.3/1.8	1.6	0.81	6.5	36/59	443	6.3	140	125