

SPECIFICATION

Current Rating: 1.5A AC, DC
 Voltage Rating: 30V AC/DC
 Contact Resistance: 30m Ω Max
 Insulation Resistance: 1000M Ω Min
 Withstanding Voltage: 750V AC for 1 minute
 Temperature Range: -25°C to +105°C
 Insertion Force: 35N Max
 Extraction Force: 10~35N Min
 Solderability: 245°C±5°C, 3±0.5 Sec >90% covered
 Soldering Heat Endurance: 260°C, 10±0.5 Sec, No damage

MATERIALS

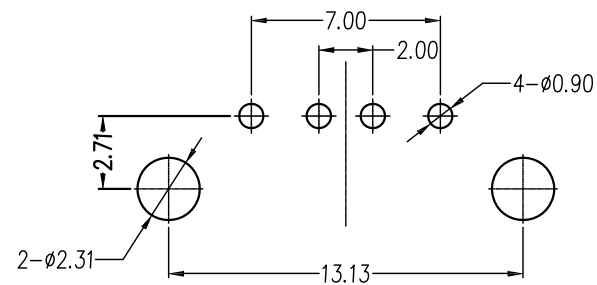
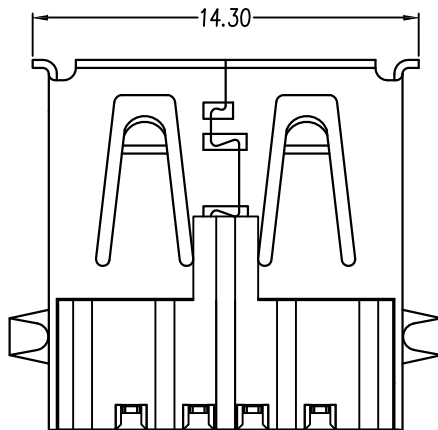
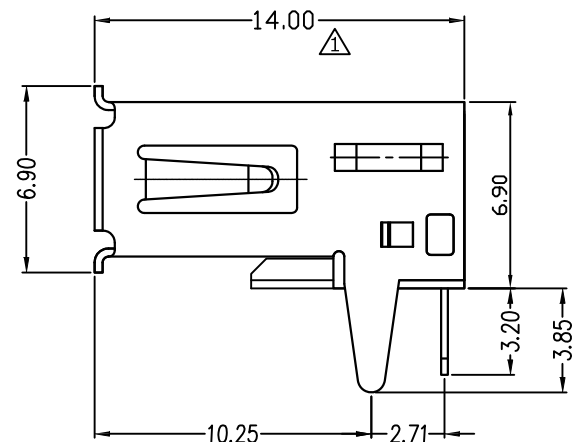
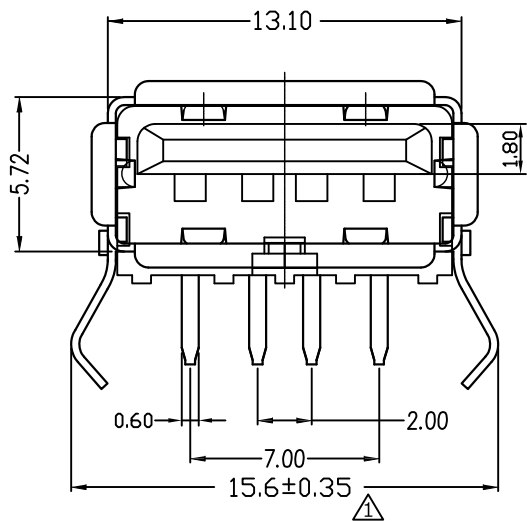
Terminal : Brass
 Shell: SPCC
 Housing: PBT, UL94V-0

ORDER INFORMATION


USBA XX X - F04RD



S0:Gold flash on contact and 100u" MIN Tin on solder tails
 S4:Gold 15u" on contact and 100u" MIN Tin on solder tails
 S5:Gold 30u" on contact and 100u" MIN Tin on solder tails



P.C.B LAYOUT

 Morecrafts Technology TEL: +886-2-2966-1326 FAX: +886-2-2966-1352 www.morecrafts.com.tw	PART NO.	USBAXXX-F04RD		DRAWN	Andrew							
	DRAWING NO.	USBAXXX-F04RD		CHECKED	Claudia							
	DATE	2014/04/04		APPROVED	Brian							
TITLE:	USB A type R/A DIP	REV.	A0	TOLERANCE	.X ±0.25 .XX ±0.20	SCALE	1:1	UNIT	mm	NO.	Updated dimensions	2018/1/2
											DESCRIPTION	DATE