

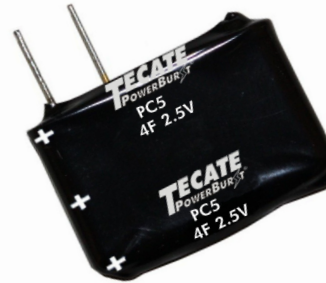


FEATURES

- Small size and low-resistance
- Quick charge & discharge
- 10 year life capability
- Hermetically sealed, stainless steel construction
- Low profile prismatic design
- Higher energy vs. electrolytic
- Higher power vs. batteries
- RoHS compliant

APPLICATIONS

- Solid state drives (SSD)
- Automatic meter readers (AMR)
- Automotive subsystems
- Back-up power for last gasp and soft shutdown
- Consumer electronics
- Wireless transmissions
- Handheld devices- commercial and military

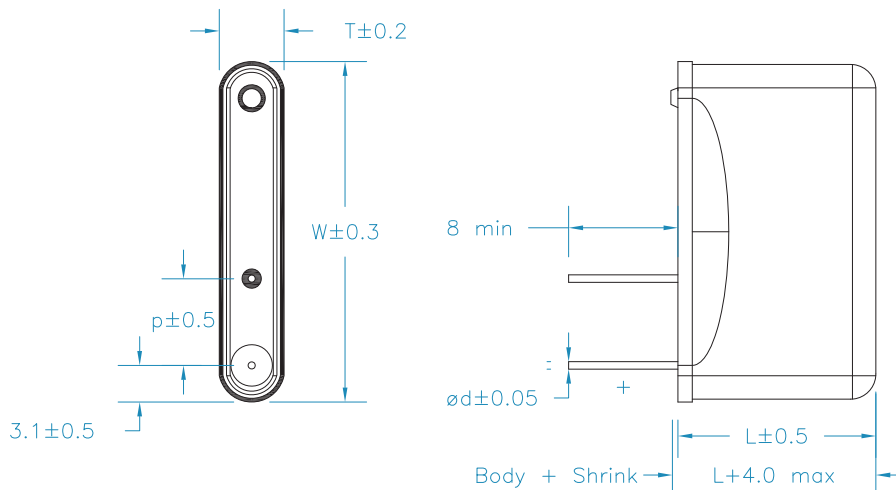


SPECIFICATIONS

Item	Performance		
Operating temperature	-40°C to +70°C		
Storage temperature	-40°C to +85°C		
Rated voltage	2.5 VDC		
Capacitance	4.0F to 10.0F		
Capacitance tolerance	±20%		
Endurance	1000 hr at 70°C at rated voltage	Capacitance change	Within ±20% of initial measured value
		Internal resistance	Within 2 times of initial specified value
Lifetime at 25°C	10 years @ 25°C at rated voltage	Capacitance change	Within ±20% of initial measured value
		Internal resistance	Within 2 times of initial specified value
Cycle life at 25°C	500,000 cycles	Capacitance change	Within ±20% of initial measured value
		Internal resistance	Within 2 times of initial specified value
Cycle: Between rated voltage and 1/2 rated voltage, constant current @ 25°C			



Units = mm



STANDARD PRODUCTS

Part Numbers	CAP. (F)	ESR/DC (mΩ)	ESR/AC 1kHz (mΩ)	Leakage Current (mA) (72 hrs @ 25C)	Size (mm)					Rated Voltage (VDC)	Weight/unit (grams)
					L	W	T	d	p		
PC5	4.0	500	362	0.02	14	23.6	4.8	0.5	5.1	2.5	4
PC10	10.0	180	130	0.04	29.6	23.6	4.8	0.5	5.1	2.5	6.3