

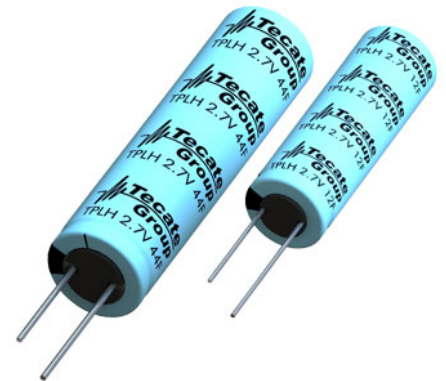
FEATURES



- Small size and low resistance
- Quick charge and discharge
- RoHS compliant
- Sealed for improved performance in elevated humidity environments
- UL Recognized

APPLICATIONS

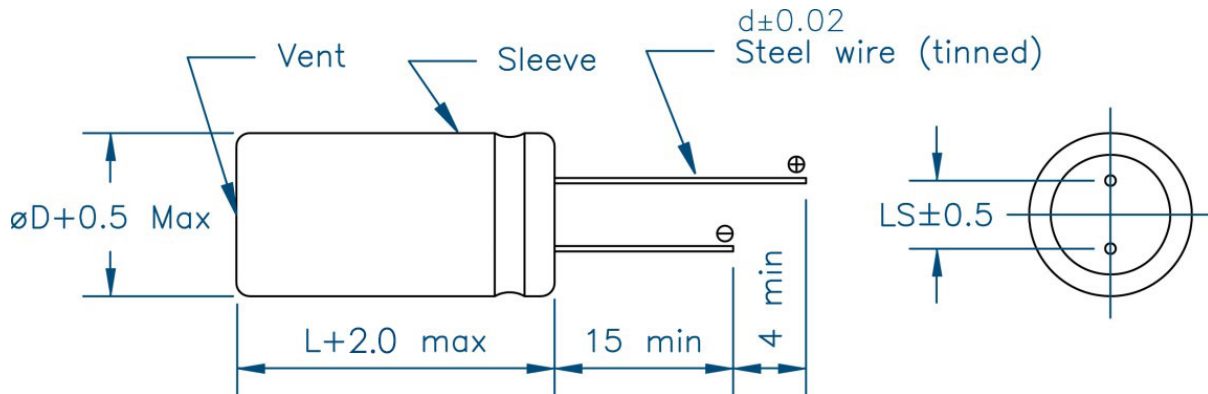
- Pulse power demand
- Hybrid battery packs
- Portable electronic devices



GENERAL SPECIFICATIONS

| Item | Performance |
|---|--|
| Operating temperature | -40°C to +65°C @ 2.7V -40°C to +85°C @ 2.3V |
| Storage temperature | -40°C to +70°C |
| Capacitance | 35F |
| Rated voltage | 2.7 VDC / 2.3 VDC |
| Surge voltage | 2.85 VDC |
| Temperature characteristics | Capacitance change: Within ±5% of initial measured value at +25°C (-40°C to +65°C) Internal resistance: Within ±50% of initial measured value at +25°C (at -40°C) |
| Endurance (At rated voltage & max. operating temp) | After 1500 hours: Capacitance change: ±30% of initial rated value Internal resistance: Within 2 times of initial specified value |
| Projected Load life (At rated voltage & 25°C) | After 10 years: Capacitance change: Within ±30 % of initial rated value Internal resistance: Within 2 times of initial specified value |
| Projected cycle life (From rated voltage to 1/2 rated voltage at 25°C) | After 500,000 cycles: Capacitance change: Within ±30 % of initial rated value Internal resistance: Within 2 times of initial specified value |
| Shelf life | After 2 years at 25°C without load, the capacitor shall meet the specified endurance limits. |
| Biased humidity life | 3000 hours of continuous charging at VR, 60°C and 90%RH for mechanical integrity |

DIMENSIONS



STANDARD PRODUCTS

| Part Number | Nom. Cap. (F) | GMV (F)* | ESR DC Typical (m Ω) | ESR AC Max. (m Ω) (1 KHz) | Leakage Current (mA) (72 hrs @ 25C) | Dimensions (mm) | | | | Rated Current (A) | Weight/Unit (grams) |
|--------------------|---------------|----------|------------------------------|-----------------------------------|-------------------------------------|-----------------|------|-----|-----|-------------------|---------------------|
| | | | | | | D | L | d | LS | | |
| TPLH-2R7/35WR16X31 | 35 | 31.5 | 22 | 19 | 0.07 | 16 | 31.5 | 0.8 | 7.5 | 23.05 | 8.5 |

*NOTE: GMV = Guaranteed Minimum Value.