

# S5H RELAY

## SHORI

### ◆ Features

- 0.45W and 0.2W coil are available .
- Switching capacity relay for high density.
- Standard PC layout
- SPNO,SPNC,SPDT configuration.
- Sealed type available.



### ◆ Coil Data [at 23°C]

- Standard Type

Rated voltage ( V )	Coil Resistance ±10% (Ω)	Rated Current ±10% (mA)	Pick up Voltage (Max)	Drop out Voltage (Min)	Max continuous Voltage	Power consumption At rated Voltage
3	20	150	75% of rated voltage	5% of rated voltage	130% Max of Rated voltage	Approx.0.45W
5	55	90				
6	80	75				
9	180	50				
12	320	37.5				
18	720	25				
24	1280	18.8				
48	5120	9.3				

- High sensitivity Type

Rated voltage ( V )	Coil Resistance ±10% (Ω)	Rated Current ±10% (mA)	Pick up Voltage (Max)	Drop out Voltage (Min)	Max continuous Voltage	Power consumption At rated Voltage
3	45	67	75% of rated voltage	5% of rated voltage	130% Max of Rated voltage	Approx.0.2W
5	125	40				
6	180	33.3				
9	405	22.2				
12	720	16.7				
18	1620	11				
24	2890	8.3				
48	11520	4.1				

### ◆ Contact Rating

TYPE	1A (SPNO)	1B (SPNC)	1C (SPDT)
Resistive load	8A 250VAC, 10A 125VAC	5A 250VAC, 10A 125VAC	3A 250VAC
Max. switching current	10A	10A	3A
Max. switching voltage	250VAC		
Max. switching capacity	2000VA	1250VA	750VA

### ◆ Type List

Terminal style	Contact form	UL Insulation System approval	Designation(provided with)	
			Sealed type	Sealed type washable
PCB terminal	1A (SPNO)	-----	S5H-12-1A	S5H-12-1AS
		F	S5H-12-1A-F	S5H-12-1AS-F
	1C(SPDT)	-----	S5H-12-1C	S5H-12-1CS
		F	S5H-12-1C-F	S5H-12-1CS-F

### ◆ Ordering information

S5 H - 12 B - 1A S - F  
 1 2 3 4 5 6

1. S5H -- Basic series designation
2. 12 -- Coil Voltage (3V~48V)
3. Power Consumption  
 B -- High sensitivity Type(0.2W)  
 Blank --Standard Type(0.45W)
4. 1A -- 1 Form A, Single pole normally open  
 1B -- 1 Form B, Single pole normally closed  
 1C -- 1 Form C, Single pole double throw
5. S -- Sealed type washable  
 Blank -- Sealed type
6. Insulation standard  
 F -- Class F  
 Blank -- standard type

### ◆ Specification

Contact material	Ag Alloy	
Contact resistance	100 mΩ Max	
Operate time	10 ms Max	
Release time	5 ms Max	
Insulation resistance	100 MΩ (at 500VDC)	
Dielectric strength	Between open contact : AC 1000V ,50/60Hz 1 min.	
	Between contact and coil : AC 2500V, 50/60Hz 1 min.	
Vibration resistance	Operating extremes	10~50Hz, amplitude 1.0 mm
	Damage limits	10~50Hz, amplitude 1.0 mm
Shock resistance	Functional	10G
	Destructive	100G
Life expectancy	Mechanical	10,000,000 operations (frequency 18,000 operations/hr)
	Electrical	100,000 operations (frequency 1,800 operations/hr)
Ambient temperature	Standard: -40°C to 70°C	
Weight	Approx. 6g	

# S5H RELAY

## SHORI

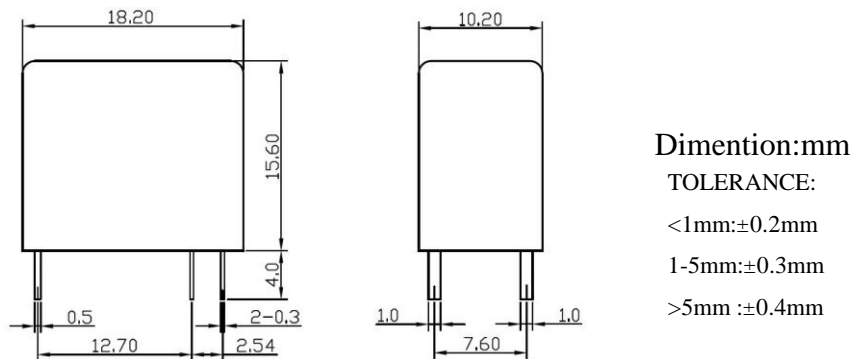
### ◆ Safety Approval

Certified	UL/CUL	TUV
File No.	E188091	R 50178751

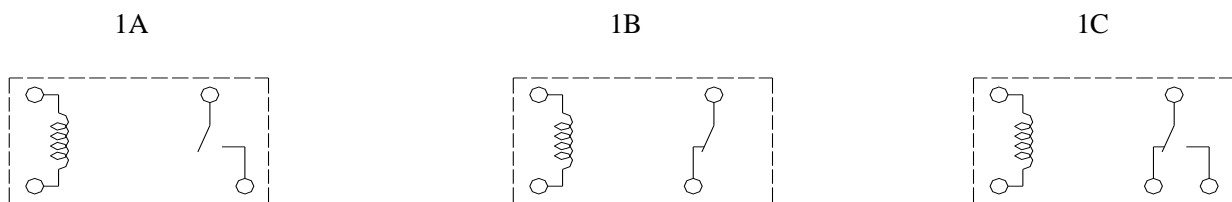
### ◆ Safety Approval Rating

UL/CUL		TUV
1A	8A 250VAC, 10A 240VAC ,5A 30VDC, TV-5 125VAC,	5A 250VAC, 5A 30VDC,
1B	5A 250VAC, 10A 125VAC, 5A 30VDC, TV-3 125VAC, 200W/125VAC	
1C	3A 250VAC, 3A 30VDC	

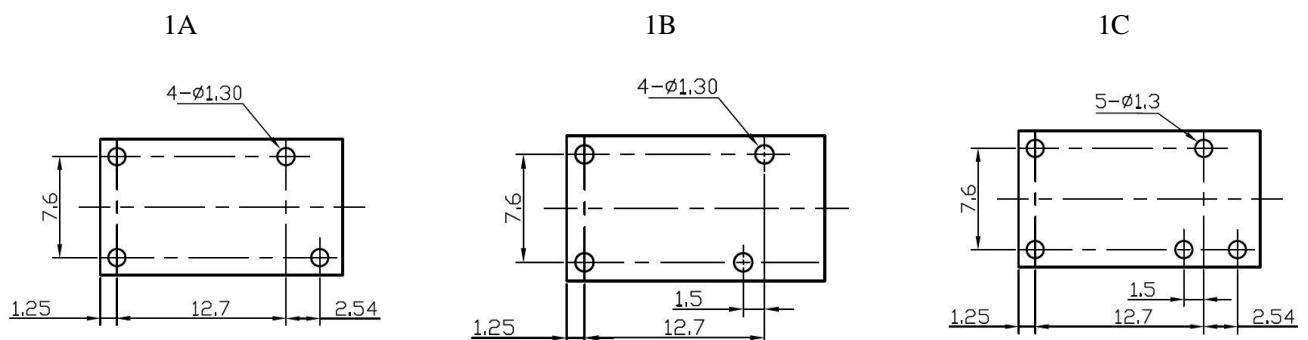
### ◆ Outline Dimensions



### ◆ Wiring Diagram(BOTTOM VIEW)

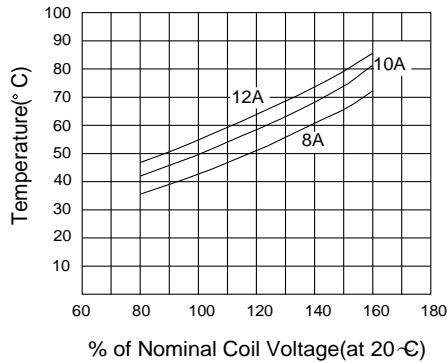


### ◆ PC BOARD LAYOUT( BOTTOM VIEW)

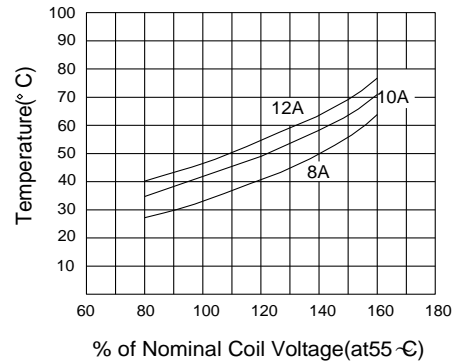


## ◆ Engineering Data

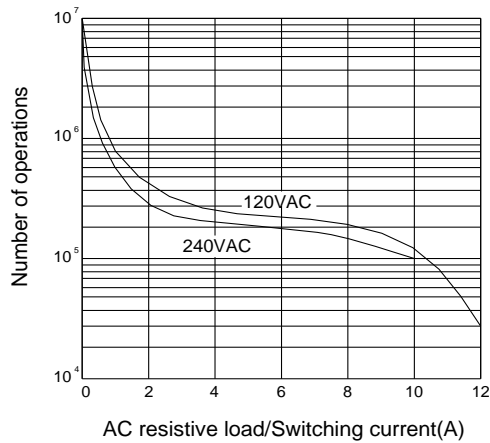
Coil temperature rise



Coil temperature rise



Life expectancy



Operate time/Release time

