

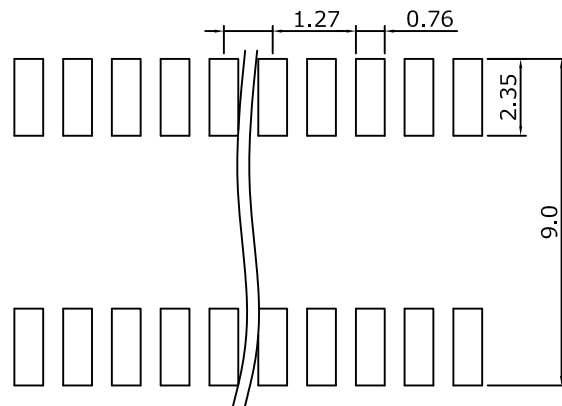
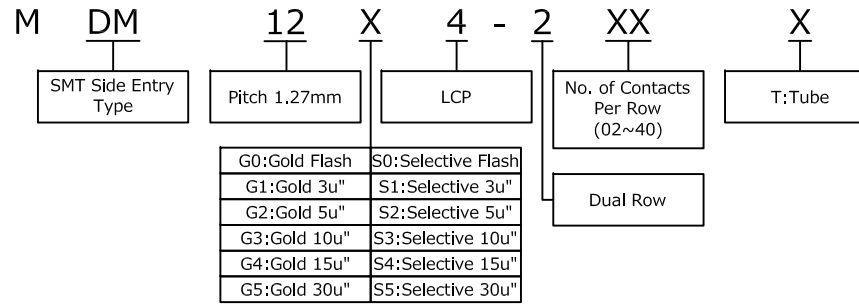
Specifications

Current Rating: 1A AC,DC
 Contact Resistance: 20mΩ Max
 Insulation Resistance: 1000MΩ Min
 Withstanding Voltage: 500V AC/minute
 Temperature Range: -40°C ~ +105°C

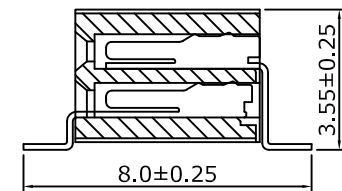
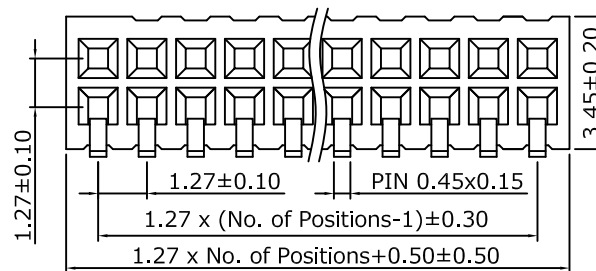
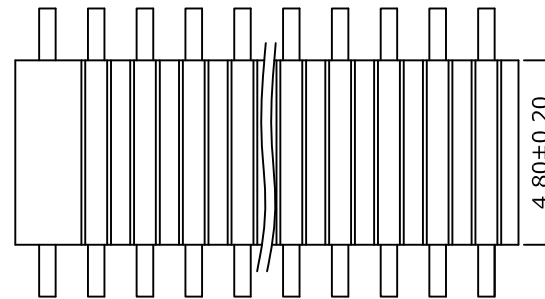
Material

Insulator: LCP, UL94V-0
 Contact: Phosphor Bronze

ORDER INFORMATION



Recommended PCB Layout
 (PCB TOLERANCE ±0.05)



M Morecrafts Technology
 TEL: +886-2-2966-1326
 FAX: +886-2-2966-1352
 www.morecrafts.com.tw

PART NO.	MDM12X4-2XXX	DRAWN	Andrew
DRAWING NO.	MDM12X4-2XXX	CHECKED	Claudia
DATE	2016/05/17	APPROVED	Brian

TITLE:	Female Header 1.27mm H=3.5mm	REV.	A0	TOLERANCE	.X ±0.25 .XX ±0.20	SCALE	1:1	UNIT	mm
--------	------------------------------	------	----	-----------	-----------------------	-------	-----	------	----