

ELECTRICAL:

Insulation Resistance: 1000MΩ Min.
 Contact Resistance: 30mΩ Max.
 Dielectric Withstanding Voltage: 500V/AC 1 Minute.

MATERIAL:

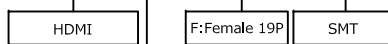
Housing: LCP, UL94V-0, COLOR: Black
 Contact: Copper Alloy
 Shell: Copper Alloy

FINISH:

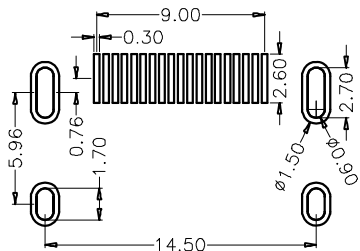
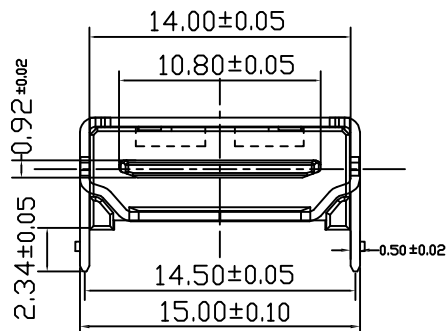
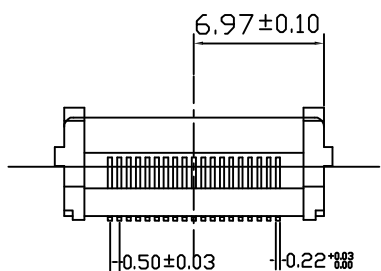
Contact: Gold flash on Contact Area,
 Tin Plated 100u" on Solder Tails,
 Nickel 60u" Over All.
 Shell: Nickel 100u"~120u"

ORDER INFORMATION

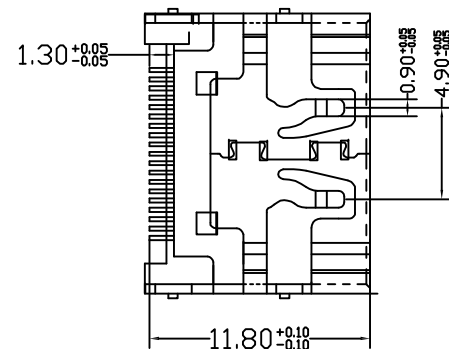
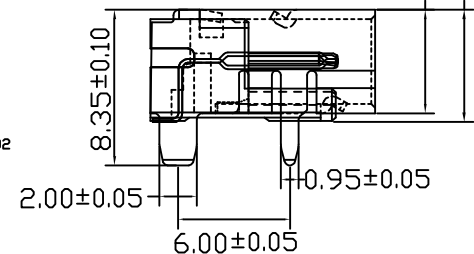
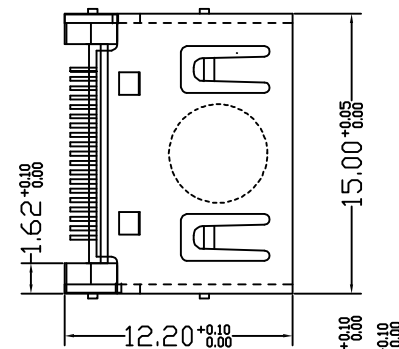
HDMI XX - F19 RM



S0:Gold flash on contact and 100u"
 MIN Tin on solder tails
 S1:Gold 3u" on contact and 100u"
 MIN Tin on solder tails
 S4:Gold 15u" on contact and 100u"
 MIN Tin on solder tails
 S5:Gold 30u" on contact and 100u"
 MIN Tin on solder tails



RECOMMENDED PCB LAYOUT



Morecrafts Technology
 TEL: +886-2-2966-1326
 FAX: +886-2-2966-1352
 www.morecrafts.com.tw

PART NO.	HDMIXX-F19RM	DRAWN	Andrew
DRAWING NO.	HDMIXX-F19RM	CHECKED	Claudia
DATE	2018/06/05	APPROVED	Brian

Drawing updated 2019/11/26

TITLE:	HDMI SOCKET SMT	REV.	A0	TOLERANCE	.X ±0.25 .XX ±0.20	SCALE	1:1	UNIT	mm	NO.	DESCRIPTION	DATE
--------	-----------------	------	----	-----------	-----------------------	-------	-----	------	----	-----	-------------	------