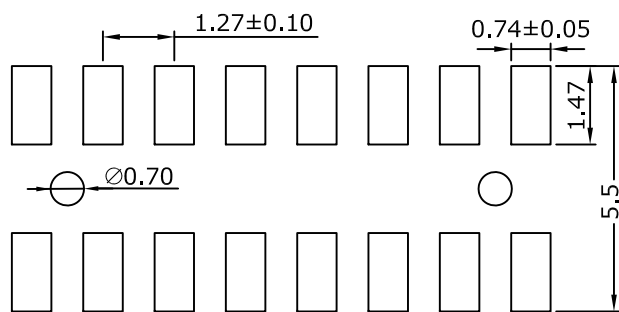
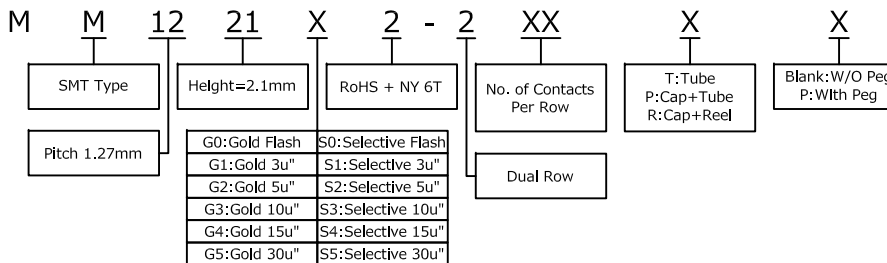


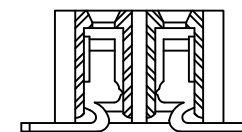
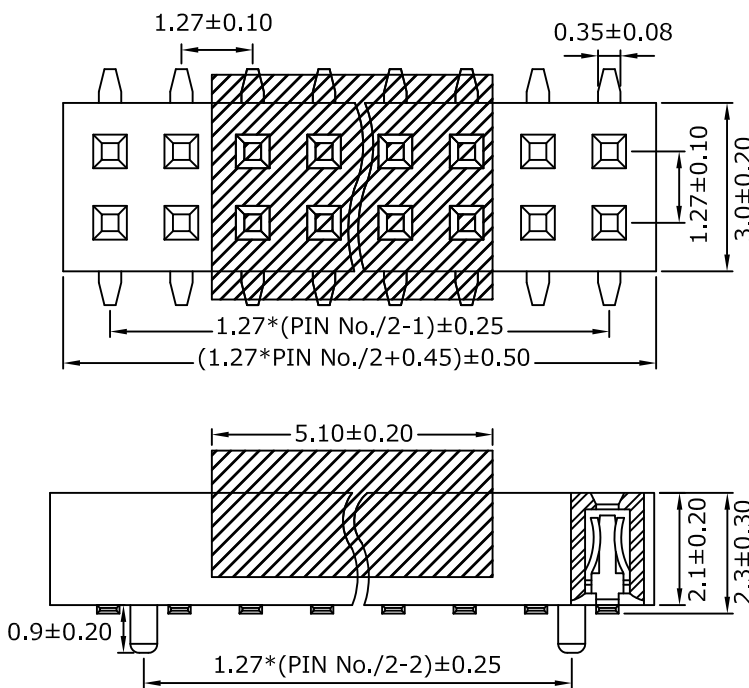
SPECIFICATIONS

Current Rating: 1Amps
 Contact Resistance: 20m Ω Max
 Insulation Resistance: 1000M Ω Min
 Withstanding Voltage: 500V AC for 1 minute
 Temperature Range: -40°C to +105°C
 Terminal : Copper Alloy
 Material: NY6T, UL94V-0, Black

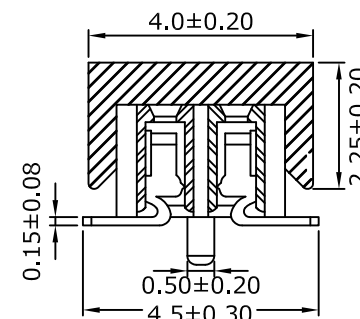
ORDER INFORMATION



PCB LAYOUT



w/o peg



with peg

PART NO.	MM1221X2-2XXX	DRAWN	Andrew
DRAWING NO.	MM1221X2-2XXX	CHECKED	Claudia
DATE	2012/03/06	APPROVED	Brian

TITLE:	Female Header 1.27mm Plastic Height 2.1mm	REV.	A0	TOLERANCE	.X ±0.25 .XX ±0.20	SCALE	1:1	UNIT	mm	NO.		DESCRIPTION		DATE	
--------	---	------	----	-----------	-----------------------	-------	-----	------	----	-----	--	-------------	--	------	--