

**MATERIAL SPECIFICATION**

1. HOUSING: LCP PLASTIC(UL94V-0)
2. CONTACT: PHOSPHOR BRONZE
3. SHELL: BRASS

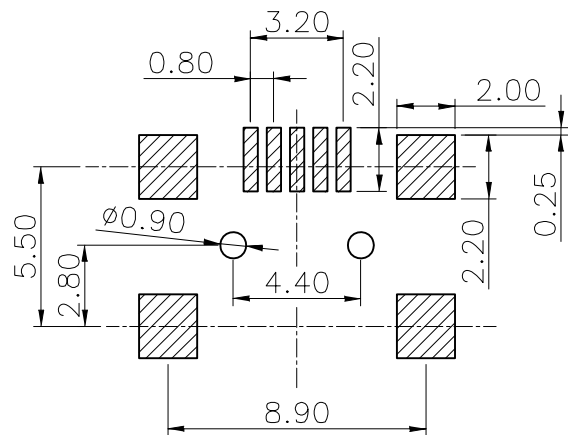
**ELECTRICAL PERFORMANCE**

1. RATED VOLTAGE(MAX.): 30V AC/DC
2. RATED CURRENT(MAX.): 1.0A AC/DC
3. DIELECTRIC STRENGTH: 100V AC FOR 1 MINUTE DC FOR 1 MINUTE BETWEEN ADJACENT TERMINAL
4. INSULATION RESISTANCE: 100 MEGOHMS MIN. 100V
5. CONTACT RESISTANCE: 50 MILLIOHM MAX.
6. OPERATING TEMPERATURE: -25°C ~ +80°C

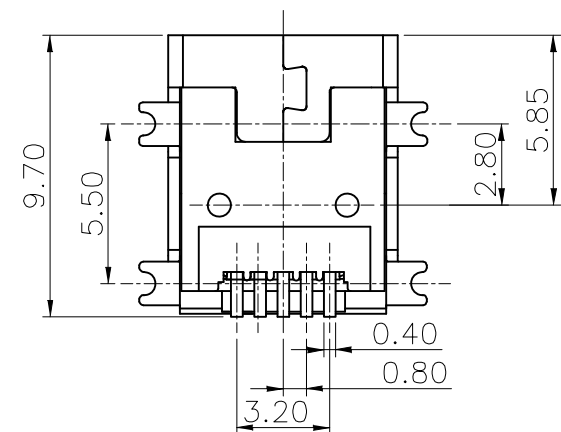
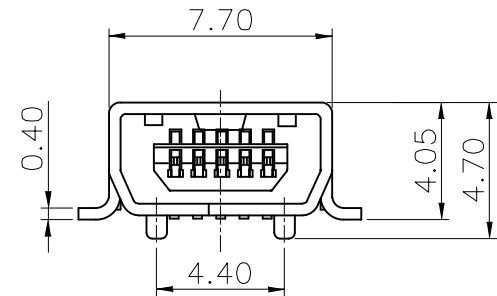
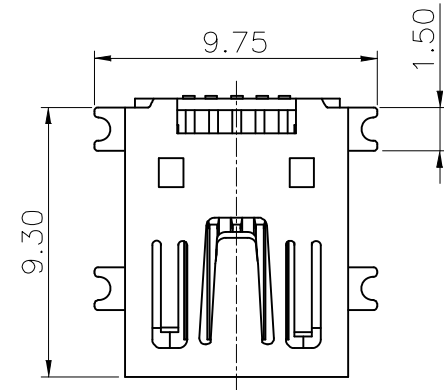
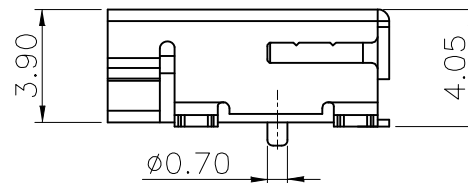
**ORDER INFORMATION**

USBMNAB XX - F05RM

Mini USB AB type	S0:Gold flash on contact and 100u" MIN Tin on solder tails
	S4:Gold 15u" on contact and 100u" MIN Tin on solder tails
	S5:Gold 30u" on contact and 100u" MIN Tin on solder tails



PCB LAYOUT  
TOLERANCE ±0.05



**M** Morecrafts Technology  
 TEL: +886-2-2966-1326  
 FAX: +886-2-2966-1352  
 www.morecrafts.com.tw

PART NO.	USBMNABXX-F05RM	DRAWN	Andrew
DRAWING NO.	USBMNABXX-F05RM	CHECKED	Claudia
DATE	2015/12/09	APPROVED	Brian

TITLE:	Mini USB AB type, Female 5pin	REV.	A0	TOLERANCE	.X ±0.25 .XX ±0.20	SCALE	1:1	UNIT	mm	NO.	REV.	REVISION	DATE
--------	-------------------------------	------	----	-----------	-----------------------	-------	-----	------	----	-----	------	----------	------